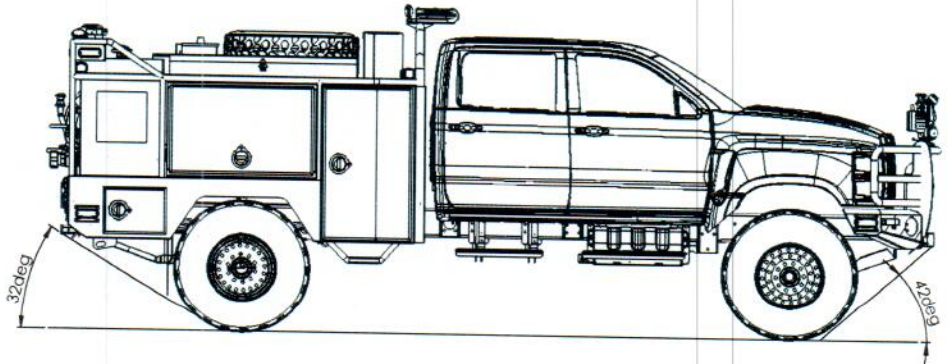
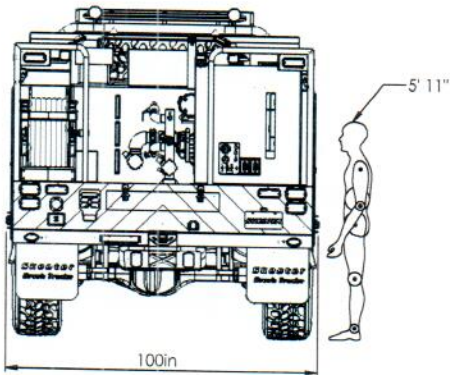
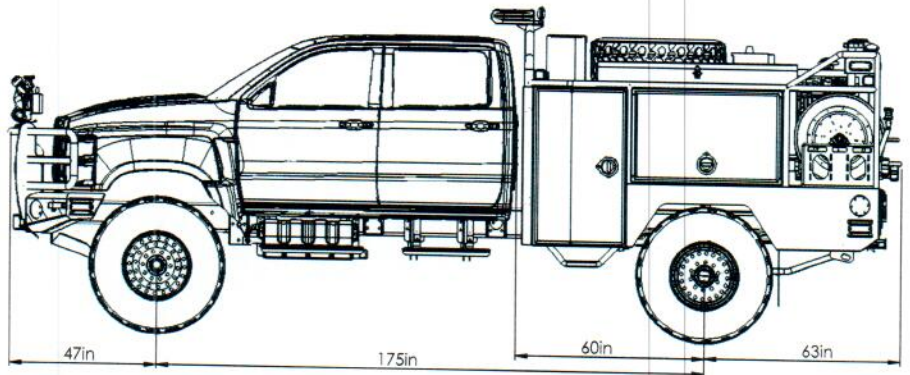
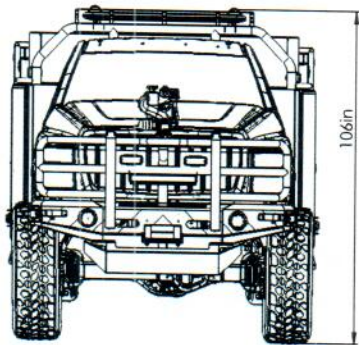


Engine Comparisons

E-211 (Current Engine) Planned Smaller Lighter Engine
(Estimates \$295,000)

Length	28 Feet	23.5 Feet
Height	10.2 Feet	8.2 Feet
Width	8.2 Feet	8.3 Feet
Weight	42,000 Pd (21 Tons)	22,000 Pd (11 Tons)
Angles	14% Degree	32% Degree
Ground Clearance	12 Inches	16 Inches
Tank Gal.	500 Gal.	500 Gal.
Pump GPM	1500 GPM	500 GPM



PROPERTY OF
SKEETER BRUSH TRUCKS

NOTE: DETAILS AND DIMENSIONS SHOWN ARE APPROXIMATE
AND ARE SUBJECT TO MINOR DEVIATIONS AS MAY
OCCUR OR BE NECESSARY IN CONSTRUCTION
MINOR DETAILS NOT SHOWN

PREPARED FOR:

Hughes Fire Equipment

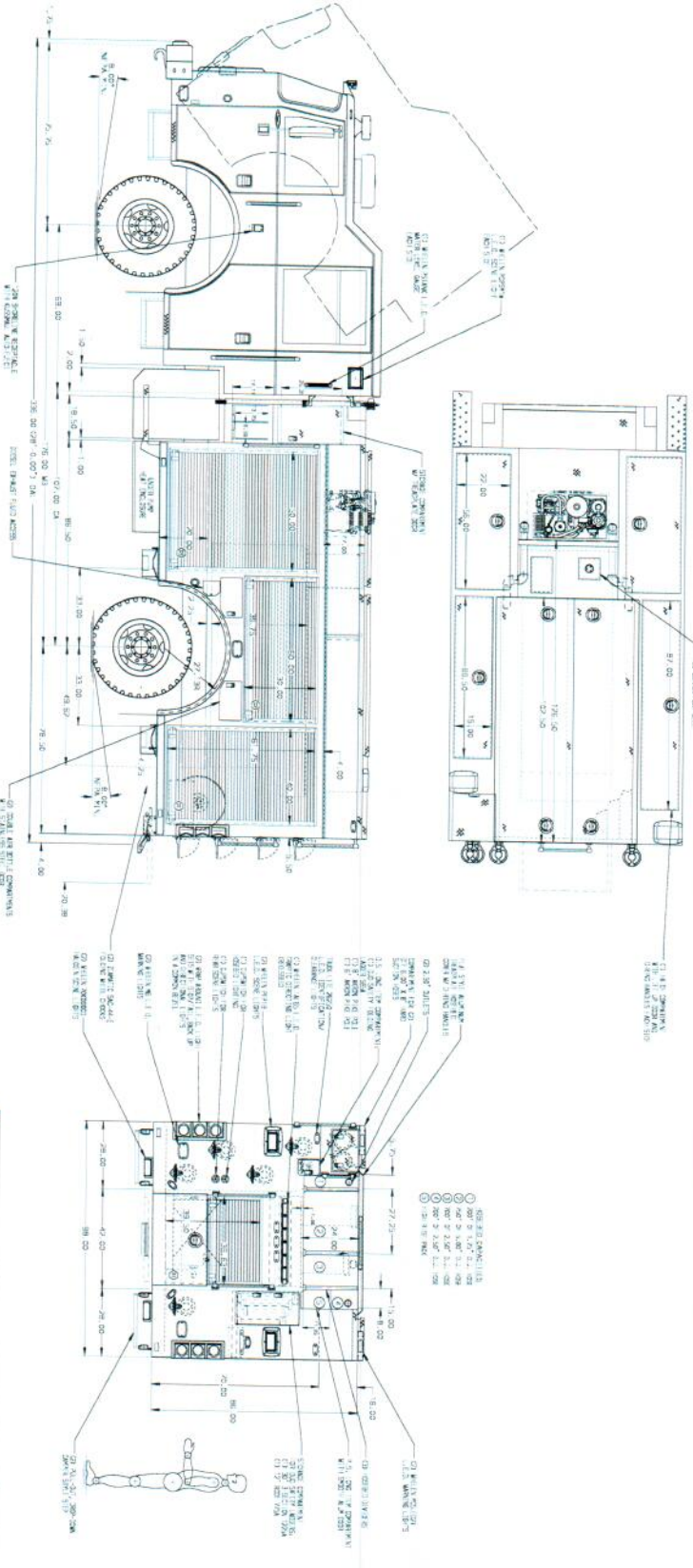
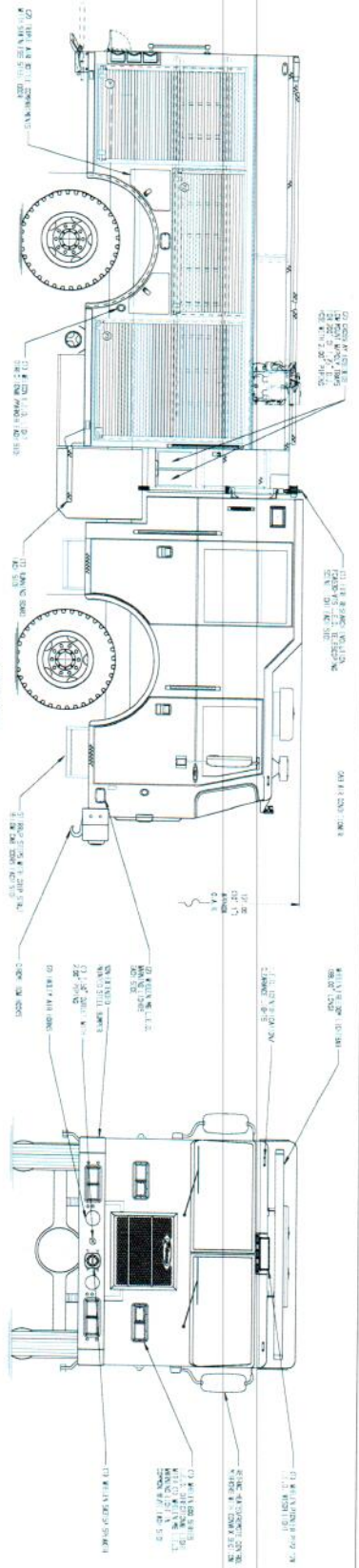
DRAWN BY: MARK E.
PRINT DATE: 1/13/2020

TITLE:

OVERALL DIMENSIONS

JOB NO. 14541

SHEET 10 OF 12



A. CUMULY BODY

NOTE: DIMENSIONS SHOWN ARE APPROXIMATE AND ARE SUBJECT TO CHANGE WITHOUT NOTICE. DIMENSIONS SHOWN ARE NECESSARY FOR CONSTRUCTION.

1. MAXIMUM O.A.L. 336.00"
 2. MAXIMUM O.A.H. 121.00"

1. MAXIMUM O.A.L. 336.00"
 2. MAXIMUM O.A.H. 121.00"

1	2	3	4	5	6	7	8	9	10	11	12	13	14	15	16	17	18	19	20	21	22	23	24	25	26	27	28	29	30	31	32	33	34	35	36	37	38	39	40	41	42	43	44	45	46	47	48	49	50	51	52	53	54	55	56	57	58	59	60	61	62	63	64	65	66	67	68	69	70	71	72	73	74	75	76	77	78	79	80	81	82	83	84	85	86	87	88	89	90	91	92	93	94	95	96	97	98	99	100
---	---	---	---	---	---	---	---	---	----	----	----	----	----	----	----	----	----	----	----	----	----	----	----	----	----	----	----	----	----	----	----	----	----	----	----	----	----	----	----	----	----	----	----	----	----	----	----	----	----	----	----	----	----	----	----	----	----	----	----	----	----	----	----	----	----	----	----	----	----	----	----	----	----	----	----	----	----	----	----	----	----	----	----	----	----	----	----	----	----	----	----	----	----	----	----	----	----	----	-----

Price Manufacturing Inc.

1250 S. 500 E. RD. W. / 30 E. FROM CHINA, 1537 TRUCK
 1250 S. 500 E. RD. W. / 30 E. FROM CHINA, 1537 TRUCK
 NORTH FORK TIRE DISTRIBUTION
 NORTH FORK, TEXAS

28322AD

JOB NO. 28322
 DATE